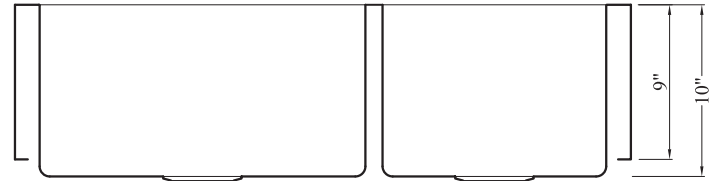
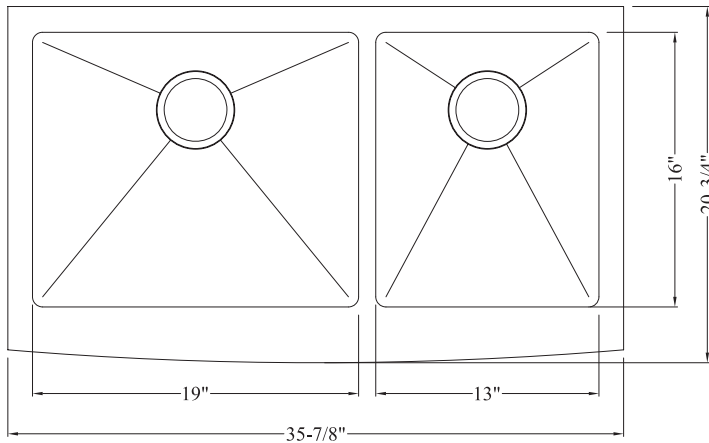


FOR MODELS: SCAPL604016



Before You Start

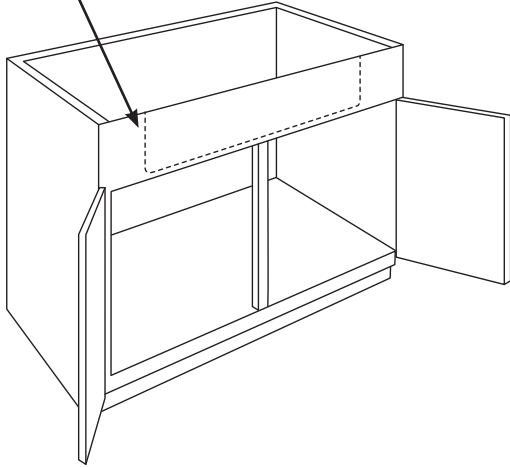
- Schön recommends that all apron front sinks should be installed by an experienced, professional installer.
- **IMPORTANT:** The enclosed cutout template will create a countertop opening with a minimal (1/8" or less) reveal. It is recommended that you discuss this with your installer and agree that this finished appearance is the desired effect. Schön is not responsible for improper sink or countertop installations.
- **IMPORTANT:** The cabinet must be installed, secured, plumb, and level. The front sink apron must be secured to the front of the cabinet by attaching fasteners through the cabinet front and into the support framing. Failure of this step can lead to product damage.
- **IMPORTANT:** Long screws may damage adjacent cabinets. Ensure the screws are long enough to secure the support framing, but short enough not to go through the walls of adjacent cabinets.
- Schön apron front sinks should only be fastened to a solid surface countertop (i.e. granite, Corian® or Silestone®).
- A custom sink base cabinet and support framing is required for proper installation. Schön recommends providing the cabinet maker with the actual sink to be installed prior to cabinet fabrication.
- Schön is not responsible for sink or countertop if damaged during installation. Be sure to inspect the sink for damage prior to beginning installation.
- Metal edges may be sharp – use caution when handling.
- Follow all local plumbing and building codes.

Recommended Tools & Materials (Not Included)

- | | |
|--|---|
| <input type="checkbox"/> Tape Measure | <input type="checkbox"/> Shims or Cabinet Fillers |
| <input type="checkbox"/> Safety Glasses | <input type="checkbox"/> Denatured Alcohol |
| <input type="checkbox"/> Painter's Tape | <input type="checkbox"/> Clamps |
| <input type="checkbox"/> Saw | <input type="checkbox"/> Construction Adhesive |
| <input type="checkbox"/> Level | <input type="checkbox"/> Silicone Sealant |
| <input type="checkbox"/> Framing Square | <input type="checkbox"/> Support Framing Material (1 1/4" (32mm) Max Thickness) |
| <input type="checkbox"/> Pencil (not permanent marker) | <input type="checkbox"/> Screws (recommended by countertop manufacturer) |

1: PREPARE THE BASE CABINET

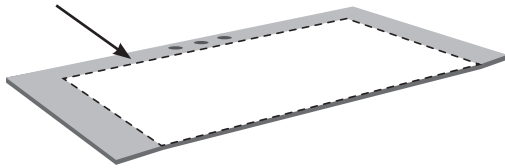
OUTLINE FOR APRON FRONT SINK CUTOUT



1. Apply painter's tape to the cabinets for marking and cutting purposes. This will protect the cabinet from damage while cutting.
 2. Position the template (provided with your sink) on the front of the cabinet, flush to the top and centered; secure with tape.
 3. Trace the template and remove.
 4. Using a sharp saw blade, carefully cut the cabinet on the traced line.
- ▲ **IMPORTANT:** The cabinet must be installed, secured, plumb, and level BEFORE installing the sink.
 - ▲ **IMPORTANT:** Schön recommends providing the cabinet maker with the actual sink prior to cabinet fabrication. Before installing the sink, verify that the distance from the top of the doors to the top of the cabinet is greater than the apron front.
 - ▲ **IMPORTANT:** Double check the measurement of the cabinet cutout and make any necessary adjustments by either adding filler strips or sanding the opening.

2: PREP COUNTERTOP

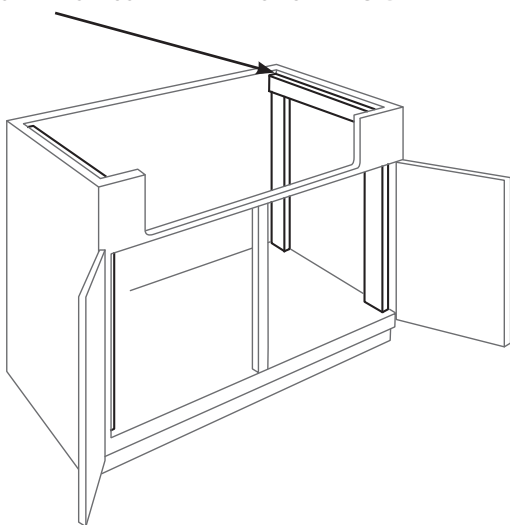
OUTLINE FOR APRON FRONT SINK CUTOUT



1. Position the template (provided with your sink) on the bottom of the countertop, flush to the front and centered; secure with tape.
2. Trace the template and remove. Dry fit the sink to verify the measurements.
4. Following the countertop manufacturer's instructions, carefully cut the countertop on the traced line.

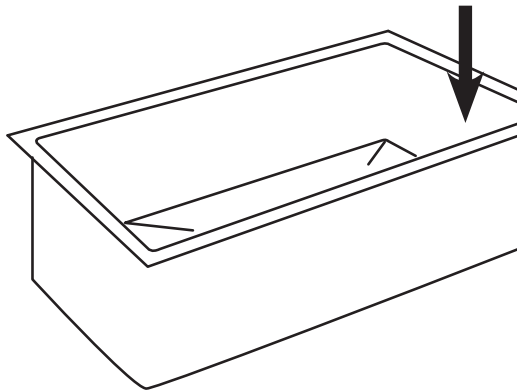
3: INSTALL SUPPORT FRAMING

SUPPORT FRAMING SHOULD BE RECESSED SO THE SINK FITS FLUSH WITH THE TOP OF THE CABINET



1. Cut two lengths of support framing to extend horizontally along the inside walls on each side of the cabinet.
 2. Measure and mark the support mounting locations; ensure the sink rim will sit at or slightly below the top of the cabinet.
 3. Position and level the supports.
 4. Secure the supports with construction adhesive and screws (not provided).
 5. Cut (4) lengths of support framing to extend from the bottom of the horizontal supports to the floor of the cabinet.
 6. Secure the vertical supports with construction adhesive and screws (not provided).
- ▲ **IMPORTANT:** Long screws may damage adjacent cabinets. Ensure the screws are long enough to secure the support framing, but short enough not to go through the walls of adjacent cabinets.
 - ▲ **IMPORTANT:** A custom sink base cabinet and support framing is required for proper installation.
 - ▲ **IMPORTANT:** Make sure the top of the sink does not extend above the top of the cabinet; otherwise it will interfere with countertop installation.

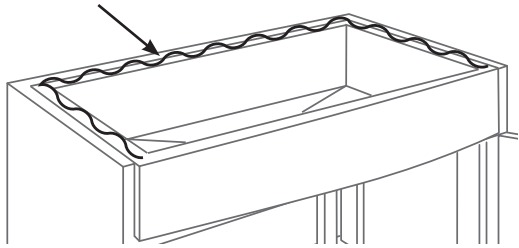
4: INSTALL THE SINK



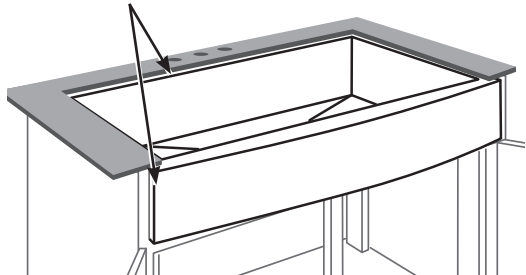
1. Lower the sink onto the supports and verify the sink is supported by the frame.
 2. Push the sink in to ensure the apron is flush to the front of the cabinet.
 3. Verify the sink is level. Make any adjustments and shim as needed.
 4. Secure the sink in place using the hardware provided
- ▲ **IMPORTANT:** The front sink apron must be secured to the front of the cabinet by attaching fasteners through the cabinet front and into the support framing. Failure of this step can lead to product damage.
 - ▲ **IMPORTANT:** Schön is not responsible for sink or countertop if damaged during installation. Be sure to inspect the sink for damage prior to beginning installation.
 - ▲ **IMPORTANT:** Metal edges may be sharp – use caution when handling.

5: INSTALL COUNTERTOP

APPLY SILICONE SEALANT AFTER CLEANING THE SINK EDGE AND COUNTERTOP



APPLY SILICONE SEALANT WHERE THE SINK MEETS THE COUNTERTOP AND CABINET.



1. Clean the bottom of the countertop and the top flange (or lip) of the sink with denatured alcohol.
 2. Apply a narrow bead of silicone adhesive sealant around the side and back of the sink.
 3. Carefully position and secure the sink to the countertop following the manufacturer's instructions.
 4. Apply a thin bead of silicone sealant where the sink meets the countertop and cabinet.
 5. Immediately remove excess sealant.
- ▲ **IMPORTANT:** The enclosed cutout template will create a countertop opening with a minimal (1/8" or less) reveal. It is recommended that you discuss this with your installer and agree that this finished appearance is the desired effect. Schön is not responsible for improper sink or countertop installations.
 - ▲ **IMPORTANT:** Schön apron front sinks should only be fastened to a solid surface countertop (i.e. granite, Corian® or Silestone®).
 - ▲ **IMPORTANT:** Make sure the top of the sink does not extend above the top of the cabinet; otherwise it will interfere with countertop installation.

6: FINAL STEPS

1. Following all local plumbing and building codes, install the faucet according to the manufacturer's instructions.
 2. Connect the drain and piping.
 3. Run water into the sink and check all connections for leaks.
- ▲ **IMPORTANT:** For additional information or warranty issues visit www.schonsimplymodern.com or contact Schön directly at:
 Schön Warranty Dept, World Imports Decorative Plumbing
 3074 Chastain Meadows Parkway
 Marietta, GA 30066
 (800) 880-8164